



# FAMO1 AND KAMO1 MOTOR OPERATOR

(FOR USE WITH MOLDED CASE CIRCUIT BREAKERS AND SWITCHES)

Motor Operator	Circuit Breakers	Control Voltage	Closing Time	Current	
				Inrush (Peak)	Running (Continuous)
FAMO1	FA, FC	120 Vac	0.80 sec.	2.0 A	0.71A
KAMO1	FI	120 Vac	0.50 sec.	1.5 A	0.64 A
KAMO1	KA, KH,	120 Vac	0.90 sec.	2.0 A	0.71 A
KAMO1	KC, KI	120 Vac	0.50 sec.	1.5 A	0.64 A

## CUSTOMER SUPPLIES

Normally-open ON and OFF push buttons  
(or one single-pole double-throw switch)  
External wiring  
Control system

## OPERATION

This motor operator will open and close a Square D molded case circuit breaker from a remote location. It does not provide trip indication. If trip indication is desired, the circuit breaker must be equipped with a separate alarm switch accessory.

## INSTALLATION

### DANGER

#### HAZARDOUS VOLTAGES.

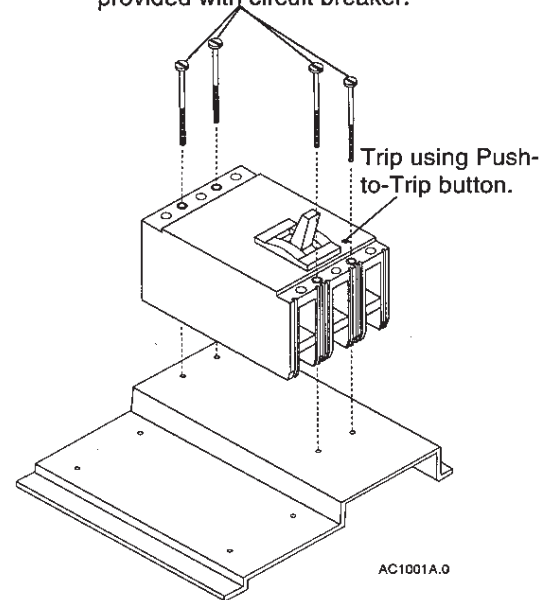
Turn off all power to electrical equipment before installing motor operator.

Failure to observe these precautions can result in severe personal injury or death.

## Unit-mount Installation

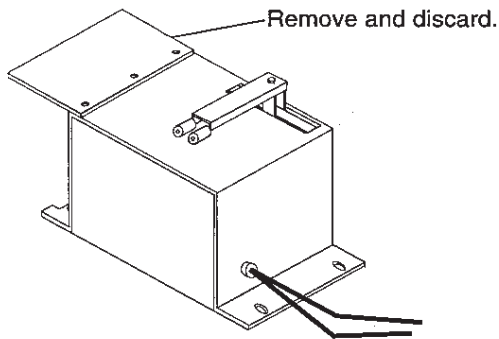
- 1 Install circuit breaker on mounting pan.

Use mounting screws provided with circuit breaker.



Circuit Breaker	Mounting Pan
FAL	FAMOP
KAL, KHL, KCL, FIL and KIL	KAMOP

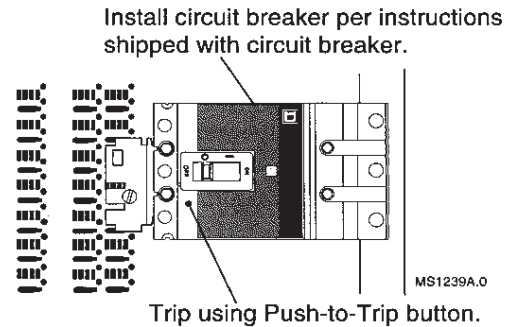
**2** Discard bus shield.



AC1001A.0

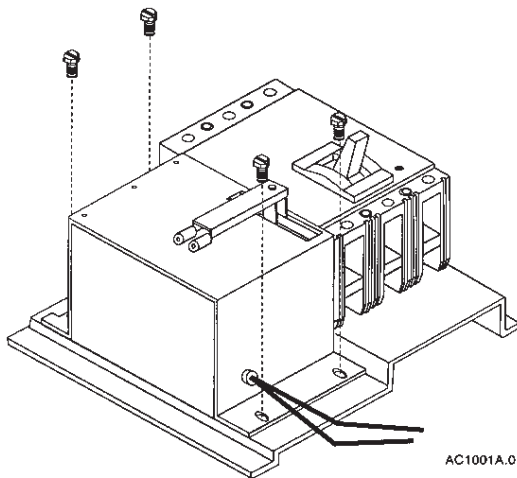
**I-LINE® Installation**

**1** Install circuit breaker.



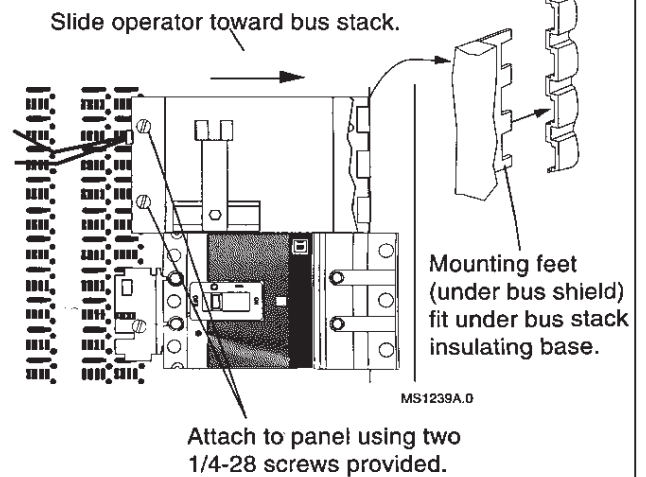
MS1239A.0

**3** Install motor operator.



AC1001A.0

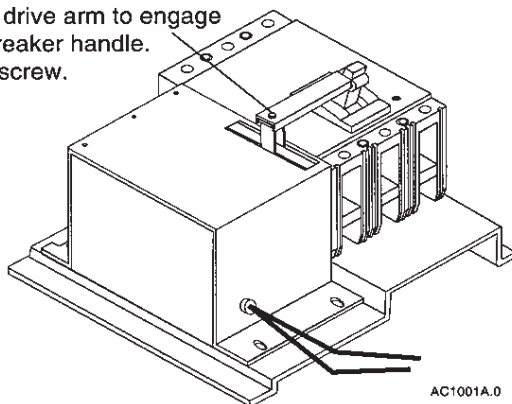
**2** Install motor operator.



MS1239A.0

**4** Engage circuit breaker handle.

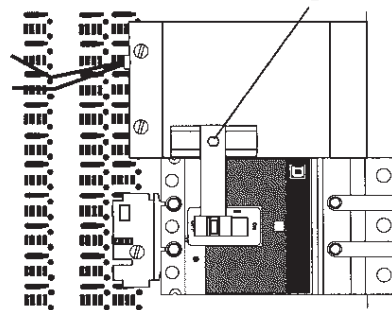
1. Loosen screw.
2. Position drive arm to engage circuit breaker handle.
3. Tighten screw.



AC1001A.0

**3** Engage circuit breaker handle.

1. Loosen screw.
2. Position drive arm to engage circuit breaker handle.
3. Tighten screw.



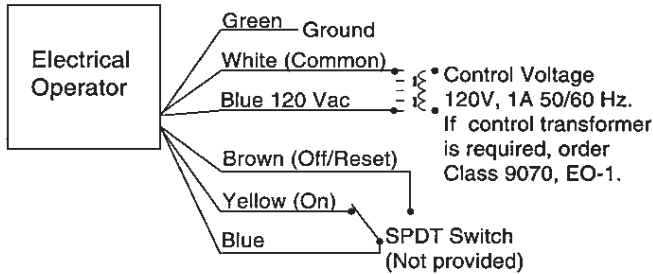
MS1240A.0

I-LINE is a registered trademark of Square D Company.

ENGLISH

**WIRING**

Wire operator to control circuit.



A maintained contact switch is recommended. If a momentary contact switch is used, contacts must be held closed a minimum of one second to insure operator travels the proper distance.

**REMOVAL**

**⚠ DANGER**

**HAZARDOUS VOLTAGES.**

**Turn off all power to electrical equipment before removing motor operator.**

Failure to observe these precautions can result in severe personal injury or death.

Remove motor operator in reverse order of installation.

**TESTING**

Setup	Action	Correct Result
Circuit breaker in OFF position. Energize UVR, if circuit breaker has one. Energize motor operator.	Use motor operator to turn circuit breaker ON.	Continuity across circuit breaker. Motor operator is de-energized.
Circuit breaker in ON position. Energize UVR, if circuit breaker has one. Energize motor operator.	Use motor operator to turn circuit breaker OFF.	No continuity across circuit breaker. Motor operator is de-energized.
Circuit breaker in ON position. Energize UVR, if circuit breaker has one. Energize motor operator.	Trip circuit breaker using push-to-trip. Use motor operator to RESET, then turn ON the circuit breaker.	Continuity across circuit breaker. Motor operator is de-energized.

If motor operator does not de-energize when circuit breaker turns ON or OFF, adjust location of the motor operator:

1. De-energize the control circuit.
2. Loosen mounting screws and shift motor operator so motor operator will de-energize at both ends of handle operation.
3. Tighten mounting screws and recheck operation.

If motor operator does not operate correctly, check wiring connections.  
If motor operator is wired correctly, contact Square D.

Square D and  are Registered Trademarks of Square D Company.

© 1995 Square D, all rights reserved. This bulletin may not be copied in whole or in part, or transferred to any other media, without the written permission of Square D Company.

Square D Company  
PO Box 3069, 3700 Sixth St SW  
Cedar Rapids IA 52406-3069 USA

Technical Services: 1-800-634-2003

ECN H238



recycled paper



**SQUARE D**

Printed in USA